

Economical machined cast acrylic block construction makes these meters great for OEM use. Optional inlet metering valve available



DESCRIPTION

Metering Tube

Machined Cast Acrylic

Internal Components

316L Stainless Steel

Inlet/Outlet Fittings

NPT, Horizontal

Control Valve optional

Fitting Material

Standard: PVC (Brass for 2C block size)

Optional: 316L Stainless Steel or Brass

Elastomers

Standard: EPR

Optional: Buna N, Viton®, and Kalrez®

PERFORMANCE

Capacities

7 GPM to 20 GPM — Water

2.6 SCFH to 60 SCFM — Air

Scale

50mm, 75mm, 100mm, 127mm, 250mm

Direct reading

Accuracy

± 6% of Full Scale Flow, 50 mm scale

± 4% of Full Scale Flow, 75 mm scale

± 4% of Full Scale Flow, 100 mm scale

± 7% of Full Scale Flow, 6C-04, 6C-06

± 3% of Full Scale Flow, 127 mm scale

± 2% of Full Scale Flow, 250 mm scale

Turndown

10:1 to 12.5:1, unless otherwise indicated

Repeatability

3%, 50 mm scale

2%, 75 mm scale

2%, 100 mm scale

4%, 6C-04, 6C-06

2%, 127 mm scale

0.5%, 250 mm scale

Max Temperature

130° F (54° C) - Liquid

100° F (38° C) - Gases

Max Pressure

Water — 125 psig

Air — 100 psig

Ambient Temperature

33° F to 125° F (1° C to 52° C)

OPTIONS

Certified Calibrations

Conform to ISA RP 16.6

Scales

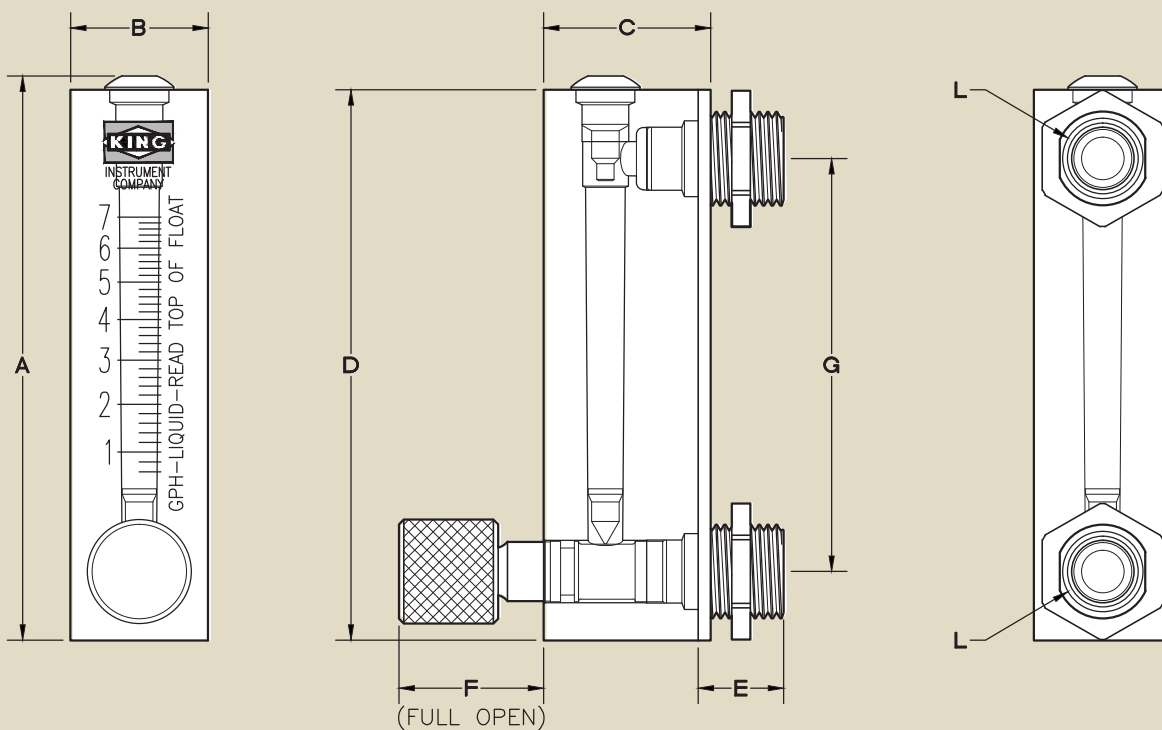
Can be produced in any volumetric unit

SPECIFICATIONS:

Order Number	Flow Water	Order Number	Flow Air	Dimensions (Inches)							Diameter L
				A	B	C	D	E	F	G	
Block #2C, 50mm (2 Inch) Scale											
-	-	2C-01*	2.6 SCFH	4.125	1	1.215	4	.50	1.05	3	.700
-	-	2C-03	5 SCFH	4.125	1	1.215	4	.50	1.05	3	.700
-	-	2C-05*	10 SCFH	4.125	1	1.215	4	.50	1.05	3	.700
-	-	2C-07*	20 SCFH	4.125	1	1.215	4	.50	1.05	3	.700
2C-02	7 GPH	2C-09	30 SCFH	4.125	1	1.215	4	.50	1.05	3	.700
2C-04	12 GPH	2C-11	60 SCFH	4.125	1	1.215	4	.50	1.05	3	.700
2C-06	22 GPH	2C-13	100 SCFH	4.125	1	1.215	4	.50	1.05	3	.700
2C-08	44 GPH	2C-15	180 SCFH	4.125	1	1.215	4	.50	1.05	3	.700
2C-10	60 GPH	2C-17	4 SCFM	4.125	1	1.215	4	.50	1.05	3	.700
2C-12	75 GPH	—	—	4.125	1	1.215	4	.50	1.05	3	.700

*These meters have glass ball floats

DIMENSION DIAGRAM



CONNECTIONS & MOUNTING

Block Number	Connection Size
2C	1/4" FNPT

Block 2C is supplied with .875" hex mounting nuts on plumbing connections.

ORDERING:

Use the following guide to determine the specific product number you require.

Meter Series	Fitting Material	O-Ring Material	Valve Material	Order Number
7520 No valve	Brass - 1	EPR - 1	Brass - 1	See Specifications
7530 With valve	316L SS - 3	Buna-N - 2	316L SS - 2	Table
		Viton® - 3	Without Valve - 0	

Order Number	Flow Water	Order Number	Flow Air	Dimensions (Inches)						
				A	B	C	D	E	F	G
Block #3C, 75mm (3 Inch) Scale										
3C-02	1 GPM	3C-01	4 SCFM	6.875	1.20	1.35	6.625	1	1.37	5
3C-04	2 GPM	3C-03	8 SCFM	6.875	1.20	1.35	6.625	1	1.37	5
3C-06	3.5 GPM	3C-05	15 SCFM	6.875	1.20	1.35	6.625	1	1.37	5
3C-08	5 GPM	3C-07	23 SCFM	6.875	1.20	1.35	6.625	1	1.37	5
Block #5C, 127mm (5 Inch) Scale										
5C-10	10 GPH	5C-11	42 SCFH	8.45	1.20	1.35	8.25	1	1.37	6.437
5C-12	20 GPH	5C-13	100 SCFH	8.45	1.20	1.35	8.25	1	1.37	6.437
5C-14	40 GPH	5C-15	175 SCFH	8.45	1.20	1.35	8.25	1	1.37	6.437
5C-02	1 GPM	5C-01	4 SCFM	8.45	1.20	1.35	8.25	1	1.25	6.437
5C-04	100 GPH	5C-03	6.8 SCFM	8.45	1.20	1.35	8.25	1	1.37	6.437
5C-06	2 GPM	5C-05	8.2 SCFM	8.45	1.20	1.35	8.25	1	1.37	6.437
5C-08	5 GPM	5C-07	22 SCFM	8.45	1.20	1.35	8.25	1	1.37	6.437
Block #6C, 100mm (4 Inch) Scale										
6C-02	10 GPM	6C-01	40 SCFM	9.125	1.78	1.812	8.875	1.25	1.875	6.50
6C-04	15 GPM	6C-03	60 SCFM	9.125	1.78	1.812	8.875	1.25	1.875	6.50
6C-06	20 GPM	—	—	9.125	1.78	1.812	8.875	1.25	1.875	6.50
Block #7C, 250mm (10 Inch) Scale										
7C-02	2 GPM	7C-01	8 SCFM	14.50	1.78	1.812	14.25	.75	1.75	12.25
7C-04	3.5 GPM	7C-03	14.4 SCFM	14.50	1.78	1.812	14.25	.75	1.75	12.25
7C-06	5 GPM	7C-05	20 SCFM	14.50	1.78	1.812	14.25	.75	1.75	12.25
7C-08	10 GPM	7C-07	42 SCFM	14.50	1.78	1.812	14.25	.75	1.75	12.25

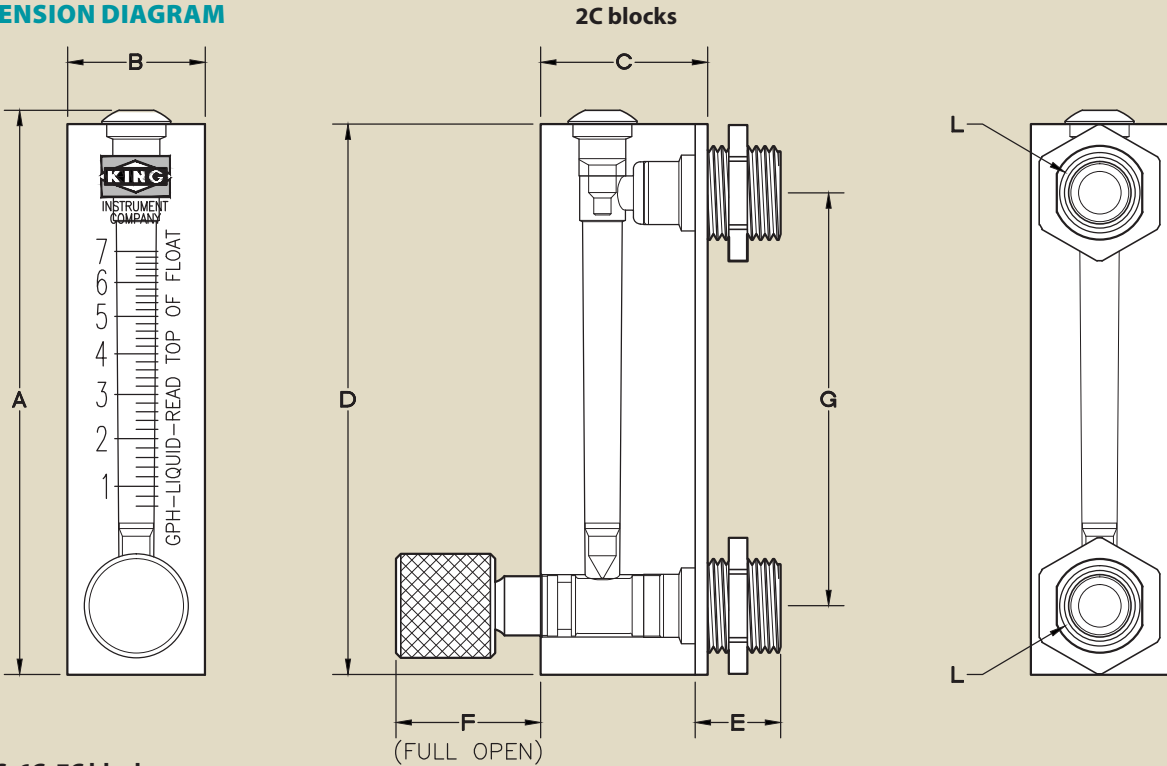
ORDERING:

Use the following guide to determine the specific product number you require.

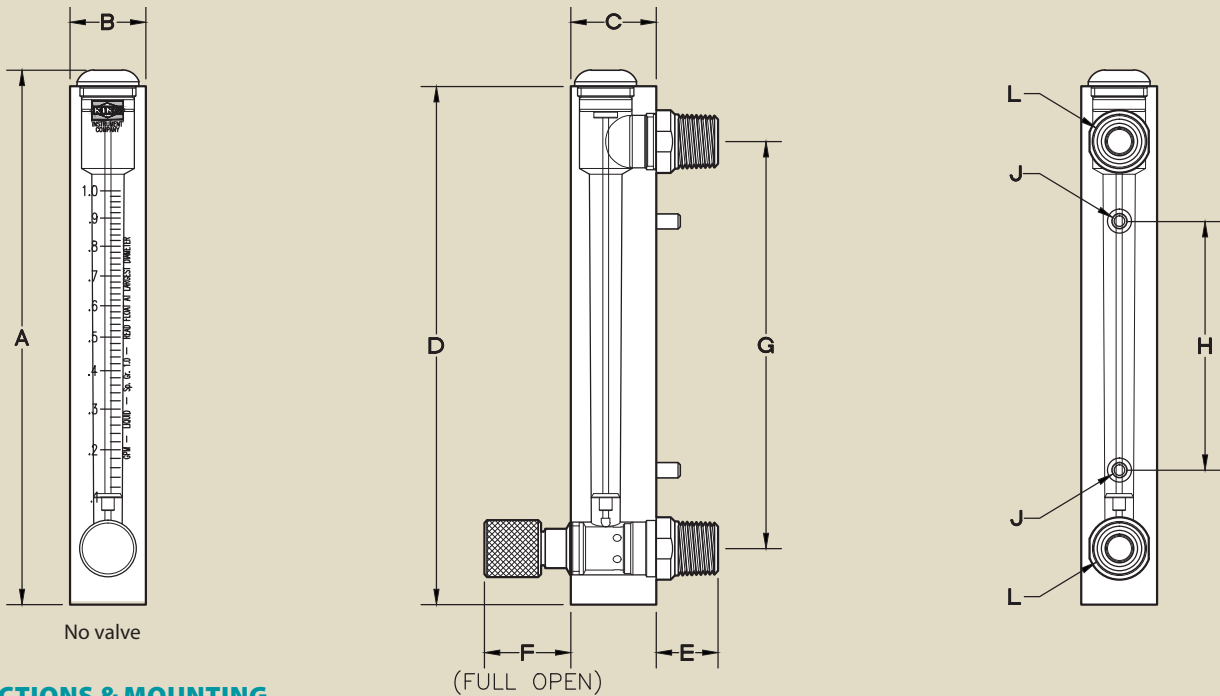
Meter Series	Fitting Material	O-Ring Material	Valve Material	Order Number
7520 No valve	Brass - 1	EPR - 1	Brass - 1	See Specifications
7530 With valve	PVC - 2*	Buna-N - 2	316L SS - 2	Table
	316L SS - 3	Viton® - 3	Without Valve - 0	

* 7530 6C with valve in brass inlet only

DIMENSION DIAGRAM



3C, 5C, 6C, 7C blocks



CONNECTIONS & MOUNTING

Block Number	Connection Size	Centerline H	Thread J	Diameter L
3C	1/2" MNPT x 1/4" FNPT	3	.25 - 20	1
5C	1/2" MNPT x 1/4" FNPT	3.937	.25 - 20	1
6C	1" MNPT	4	.25 - 20	1.375
7C	1/2" FNPT	8.75	.375 - 24	1.25

Blocks 3C, 5C, 6C and 7C have mounting studs depicted in dimension "H" and thread "J".
(Mounting Nuts Not Supplied)