

This all 316L Stainless Steel meter utilizes a float and tapered tube design which offers longer, more linear scales, better pointer stability and 40% greater accuracy than competitively priced products. A 4-20mA transmitter option adds to its versatility.



DESCRIPTION

Metering Tube

316L Stainless Steel

Internal Components

316L Stainless Steel

Inlet/Outlet Fittings

316L Stainless Steel NPT or Flange, Vertical

Fitting Material

316L Stainless Steel

Elastomers

Standard: Viton®

Optional: Buna N, EPR, Kalrez®

Indicator Housing

304 Stainless Steel

PERFORMANCE

Capacities

33 GPH to 450 GPM — Water
4 to 100 SCFM — Air

Scale

120 mm

Direct reading, detachable

Accuracy

± 3% of Full Scale Flow

Turndown

10:1 to 12.5:1, unless otherwise indicated

Repeatability

1 %

Max Temperature

O-ring Material	Max Temperature
EPR	225° F (107° C)
Buna-N	275° F (135° C)
Viton®	350° F (177° C)
Kalrez®	400° F (204° C)

Max Pressure

NPT Fittings — 1,500 psi

Stainless Steel Flange Class

Temp F	150#	300#	600#
200°	225 psi	600 psi	1,200 psi
300°	200 psi	540 psi	1,100 psi
400°	180 psi	515 psi	1,000 psi

Ambient Temperature

33° F to 125° F (1° C to 52° C)

OPTIONS

Alarm

Single or Dual, Inductive Slot Sensor
4-20 mA Transmitter (see page 50)

Certified Calibrations

Conform to ISA RP 16.6

Scales

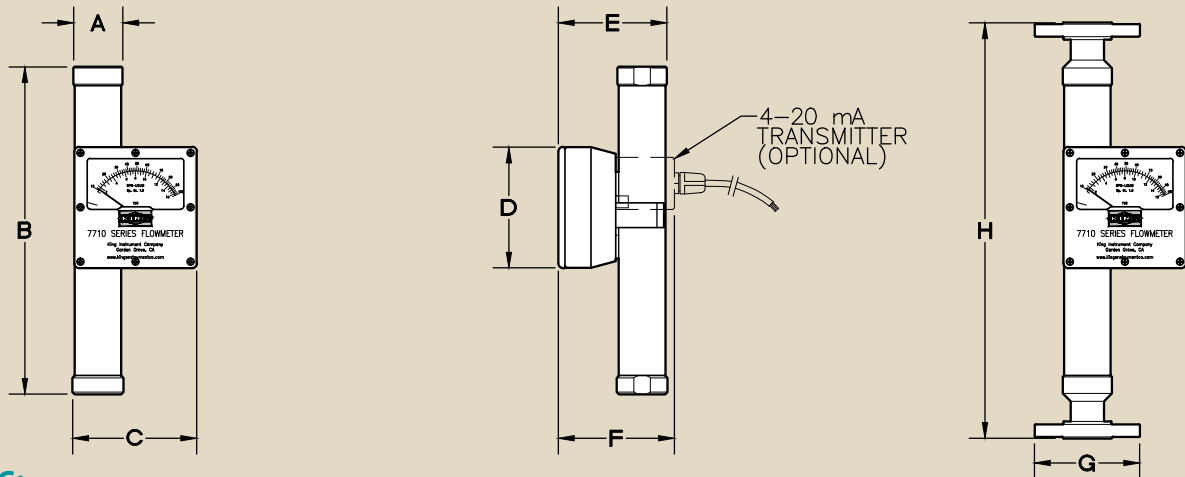
Can be produced in any volumetric unit

SPECIFICATIONS:

Order Number	Full Scale Flow GPM-Water	Dimension (Inches) FNPT Connections						150 # Flange		300 # Flange	
		A	B	C	D	E	F	G	H	G	H
706	33.0 GPM – 1/2" FNPT	1.312	11	5	5	3.375	4.625	3.50	13.125	3.75	13.625
708	1.1 GPM – 1/2" FNPT	1.312	11	5	5	3.375	4.625	3.50	13.125	3.75	13.625
710	2.0 GPM – 1/2" FNPT	1.312	11	5	5	3.375	4.625	3.50	13.125	3.75	13.625
712	4.0 GPM – 1/2" FNPT	1.312	11	5	5	3.375	4.625	3.50	13.125	3.75	13.625
714	6.0 GPM – 1/2" FNPT	1.312	11	5	5	3.375	4.625	3.50	13.125	3.75	13.625
716	5.0 GPM – 1" FNPT	1.875	13.25	5.25	5	4	4.625	4.25	16.75	4.88	17.500
718	10.0 GPM – 1" FNPT	1.875	13.25	5.25	5	4	4.625	4.25	16.75	4.88	17.500
720	16.5 GPM – 1" FNPT	1.875	13.25	5.25	5	4	4.625	4.25	16.75	4.88	17.500
722	25.0 GPM – 1" FNPT	1.875	13.25	5.25	5	4	4.625	4.25	16.75	4.88	17.500
724	35.0 GPM – 1 1/2" FNPT	2.375	13.875	5.625	5	4.50	4.625	5.00	18.625	6.12	19.250
726	60.0 GPM – 1 1/2" FNPT	2.375	13.875	5.625	5	4.50	4.625	5.00	18.625	6.12	19.250
728	76.0 GPM – 2" FNPT	3.5	13.875	6.75	5	5.625	4.625	6.00	17.156	6.50	17.750
730	100.0 GPM – 2" FNPT	3.5	13.875	6.75	5	5.625	4.625	6.00	17.156	6.50	17.750
732	120.0 GPM – 2" FNPT	3.5	13.875	6.75	5	5.625	4.625	6.00	17.156	6.50	17.750
734	152.0 GPM – 2" FNPT	3.5	13.875	6.75	5	5.625	4.625	6.00	17.156	6.50	17.750
736	150.0 GPM – 3" Flange	—	—	—	—	—	—	7.50	17.867	8.25	18.187
738	225.0 GPM – 3" Flange	—	—	—	—	—	—	7.50	17.867	8.25	18.187
740	300.0 GPM – 4" Flange	—	—	—	—	—	—	9.00	18.562	10.00	19.750
742	375.0 GPM – 4" Flange	—	—	—	—	—	—	9.00	18.562	10.00	19.750
744	450.0 GPM – 4" Flange	—	—	—	—	—	—	9.00	18.562	10.00	19.750

Order Number	Full Scale Flow SCFM-Air	FNPT	Dimension (Inches) FNPT Connections						150 # Flange		300 # Flange	
			A	B	C	D	E	F	G	H	G	H
707	4.0 SCFM	1/2"	1.312	11	5.125	5	3.375	4.625	3.50	13.125	3.75	13.625
709	8.0 SCFM	1/2"	1.312	11	5.125	5	3.375	4.625	3.50	13.125	3.75	13.625
711	16.5 SCFM	1/2"	1.312	11	5.125	5	3.375	4.625	3.50	13.125	3.75	13.625
713	24 SCFM	1/2"	1.312	11	5.125	5	3.375	4.625	3.50	13.125	3.75	13.625
715	20 SCFM	1"	1.875	13.25	5.25	5	4	4.625	4.25	16.75	4.88	17.500
717	42 SCFM	1"	1.875	13.25	5.25	5	4	4.625	4.25	16.75	4.88	17.500
719	76 SCFM	1"	1.875	13.25	5.25	5	4	4.625	4.25	16.75	4.88	17.500
721	100 SCFM	1"	1.875	13.25	5.25	5	4	4.625	4.25	16.75	4.88	17.500

DIMENSION DIAGRAM



ORDERING:

Use the following guide to determine the specific product number you require.

Meter Series	Connection Type	Float Material	O-ring Material	Optional Alarm/Transmitter	Order Number
771	FNPT Connections - 1	316L SS - 2	EPR - 1	None - 0	See Specifications Table
	150# R.F. Flanged - 2		Buna-N - 2	With Transmitter - T	
	300# R.F. Flanged - 3		Viton® - 3	One Alarm (Inductive Slot Sensor) - A	
	*600# R.F. Flanged		Kalrez® - 4	Two Alarms (Inductive Slot Sensors) - D	

*Call Factory for 600# R.F. Flange availability