

Type 1, Grade 1 PVC tube meters offer chemical resistance. The dial type display makes measuring opaque fluids simple. A 4-20mA transmitter is optional.



## DESCRIPTION

### Metering Tube

Type 1, Grade 1 PVC

### Internal Components

Hastelloy® C-276

### Inlet/Outlet Fittings

NPT or Flange, Vertical

### Fitting Material

Type 1, Grade 1 PVC

### Elastomers

Standard: Viton®

Optional: Buna N, EPR, Kalrez®

### Case and Covers

Not applicable

## PERFORMANCE

### Capacities

33 GPH to 450 GPM — Water

### Scale

120 mm

Direct reading, detachable

### Accuracy

± 3% of Full Scale Flow

### Turndown

10:1 to 12.5:1

unless otherwise indicated

### Repeatability

1 %

### Max Temperature

130° F (54° C)

### Max Pressure

150 psig, sizes 4 & 6

125 psig, sizes 8, 9, 11, 12

### Ambient Temperature

33° F to 125° F (1° C to 52° C)

## OPTIONS

### Alarm

Single or Dual, Inductive Slot Sensor

4-20 mA Transmitter (see page 50)

### Certified Calibrations

Conform to ISA RP 16.6

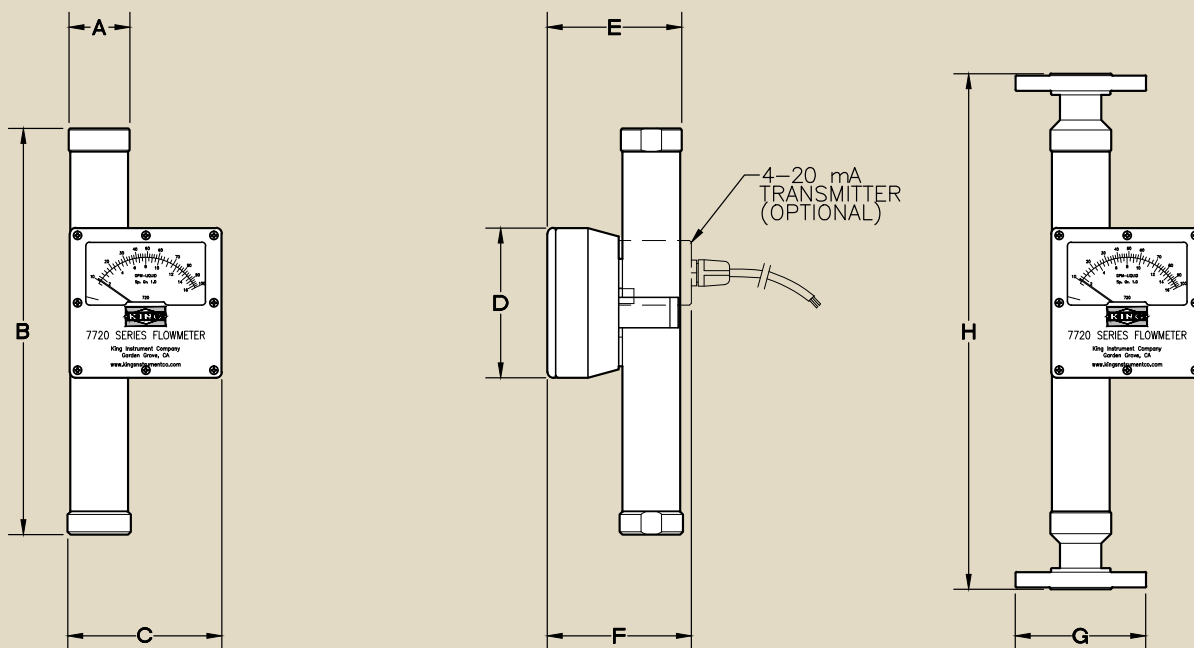
### Scales

Can be produced in any volumetric unit

## SPECIFICATIONS:

Order Number	Full Scale Flow GPM-Water	Dimension (Inches) FNPT Connections						150 # Flange	
		A	B	C	D	E	F	G	H
706	33.0 GPM – 1/2" FNPT	1.312	11	5.125	5	3.375	4.625	3.50	13.125
708	1.1 GPM – 1/2" FNPT	1.312	11	5.125	5	3.375	4.625	3.50	13.125
710	2.0 GPM – 1/2" FNPT	1.312	11	5.125	5	3.375	4.625	3.50	13.125
712	4.0 GPM – 1/2" FNPT	1.312	11	5.125	5	3.375	4.625	3.50	13.125
714	6.0 GPM – 1/2" FNPT	1.312	11	5.125	5	3.375	4.625	3.50	13.125
716	5.0 GPM – 1" FNPT	1.875	13.25	5.25	5	4	4.625	4.25	16.75
718	10.0 GPM – 1" FNPT	1.875	13.25	5.25	5	4	4.625	4.25	16.75
720	16.5 GPM – 1" FNPT	1.875	13.25	5.25	5	4	4.625	4.25	16.75
722	25.0 GPM – 1" FNPT	1.875	13.25	5.25	5	4	4.625	4.25	16.75
724	35.0 GPM – 1 1/2" FNPT	2.375	13.875	5.625	5	4.50	4.625	5.00	18.625
726	60.0 GPM – 1 1/2" FNPT	2.375	13.875	5.625	5	4.50	4.625	5.00	18.625
728	76.0 GPM – 2" FNPT	3.5	13.875	6.75	5	5.625	4.625	6.00	17.156
730	100.0 GPM – 2" FNPT	3.5	13.875	6.75	5	5.625	4.625	6.00	17.156
732	120.0 GPM – 2" FNPT	3.5	13.875	6.75	5	5.625	4.625	6.00	17.156
734	152.0 GPM – 2" FNPT	3.5	13.875	6.75	5	5.625	4.625	6.00	17.156
736	150.0 GPM – 3" Flange	—	—	—	—	—	—	7.50	17.867
738	225.0 GPM – 3" Flange	—	—	—	—	—	—	7.50	17.867
740	300.0 GPM – 4" Flange	—	—	—	—	—	—	9.00	18.562
742	375.0 GPM – 4" Flange	—	—	—	—	—	—	9.00	18.562
744	450.0 GPM – 4" Flange	—	—	—	—	—	—	9.00	18.562

## DIMENSION DIAGRAM



## ORDERING:

Use the following guide to determine the specific product number you require.

Meter Series	Connection Type	Float Material	O-ring Material	Optional Alarm/Transmitter	Order Number
772	FNPT Connections - 1 150# R.F. Flanged - 2	Hastelloy® C-276 - 4	EPR - 1 Buna-N - 2 Viton® - 3 Kalrez® - 4	None - 0 With Transmitter - T One Alarm (Inductive Slot Sensor) - A Two Alarms (Inductive Slot Sensors) - D	See Specifications Table